

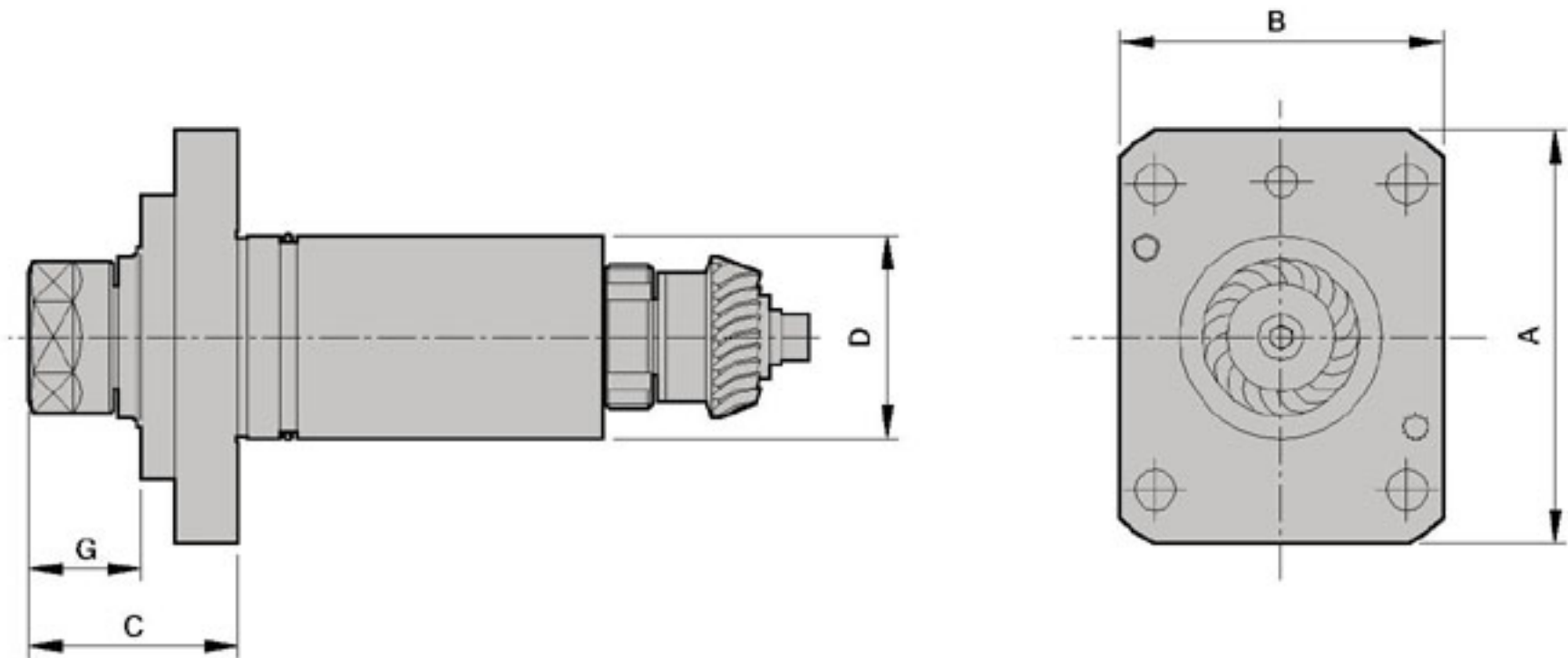


AXIAL MILLING DRILLING HEAD

TYPE

MIYANO-

軸向鑽銑刀座



- To be used for collet DIN 6499
- External coolant supply
- Collet is not included

**DIMENSIONS**

Models	D	X Capacity	S	Maximum R.P.M.	A	B	C	G	Order No.
BNE-34S BNE-51S	38	1-13 ER20	35	4000	70	74	60	28.5	DA38-ER20
BND- BNE-	45	1-13 ER20	35	4000	90	72	47	25.5	DA45-ER20
	45	1-16 ER25	42	4000	90	72	48	26.5	DA45-ER25

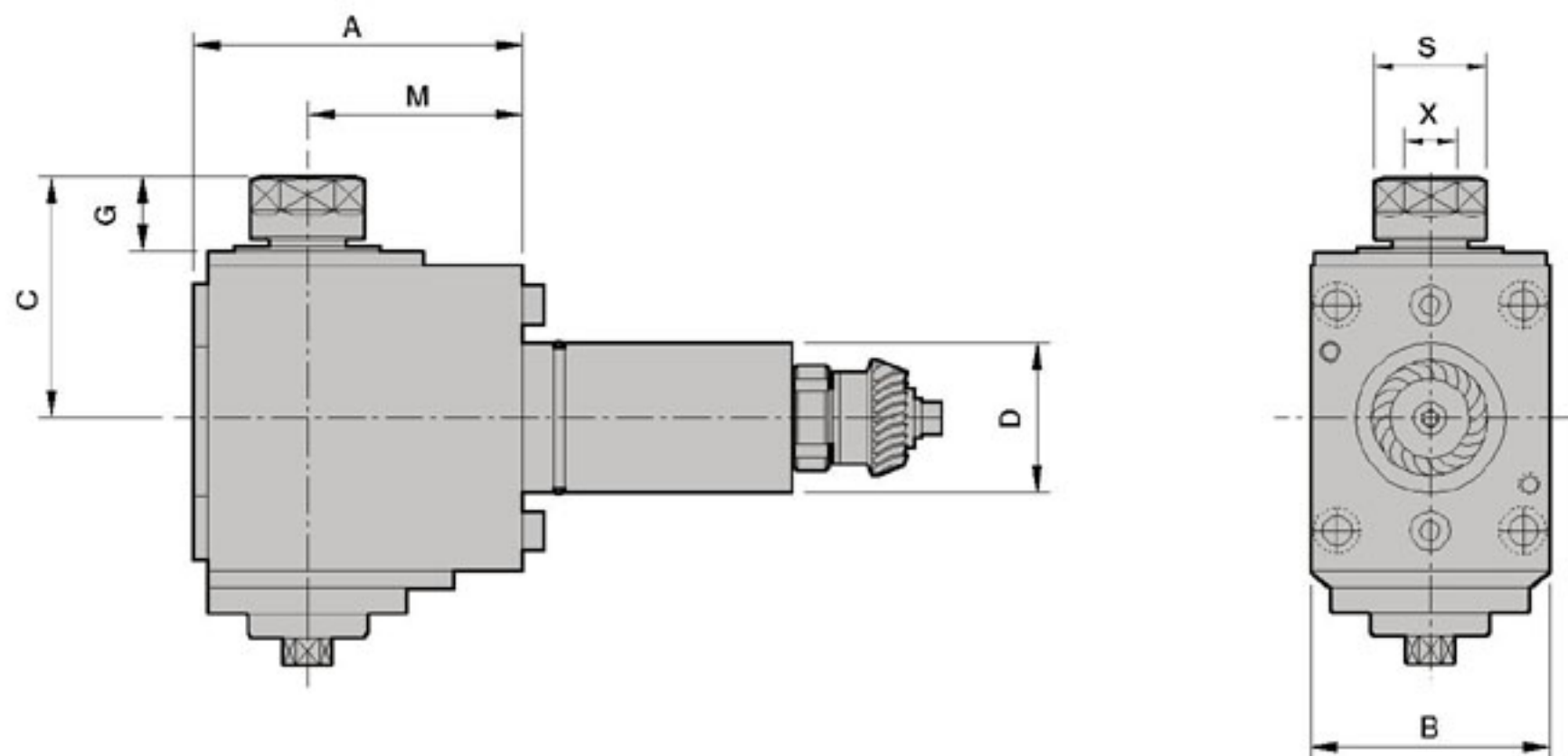
精誠開發國際有限公司

電話: 886-4-2475-0507 傳真: 886-4-2475-0407

電子信箱: golden.goose@msa.hinet.net

網址: www.goldengoose.com.tw

徑向鑽銑刀座



- To be used for collet DIN 6499
- External coolant supply
- Collet is not included

**DIMENSIONS**

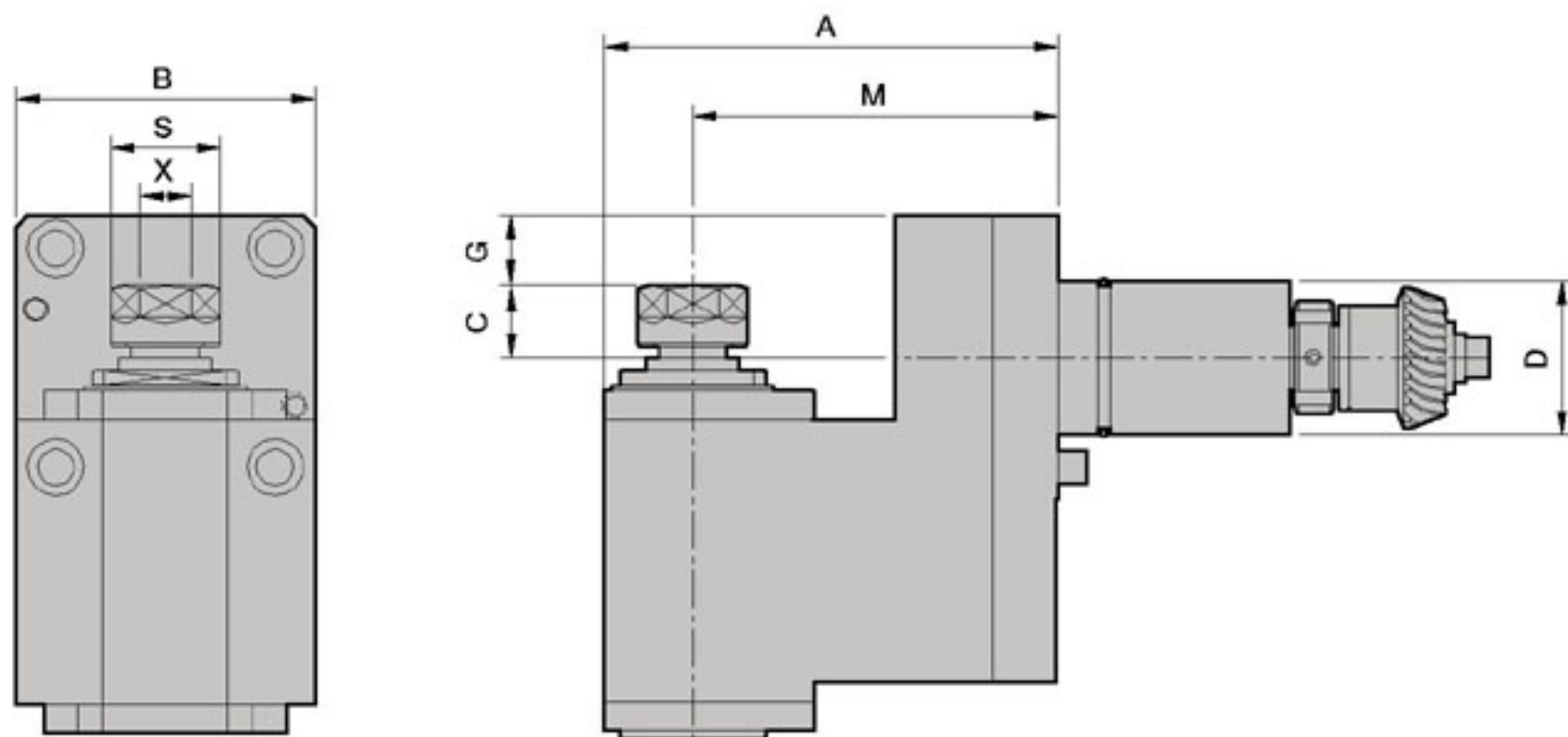
Models	D	X Capacity	S	Maximum R.P.M.	A	B	C	G	M	Order No.
BND- BNE-	45	1-13 ER20	35	3500	99.5	72	73	32.5	65	DF45-ER20
	45	1-16 ER25	42	3500	99.5	72	74	33.5	65	DF45-ER25

**RADIAL MILLING DRILLING HEAD  
SET BACK**

TYPE

MIYANO-

徑向後縮式鑽銑刀座



- To be used for collet DIN 6499
- External coolant supply
- Collet is not included

**DIMENSIONS**

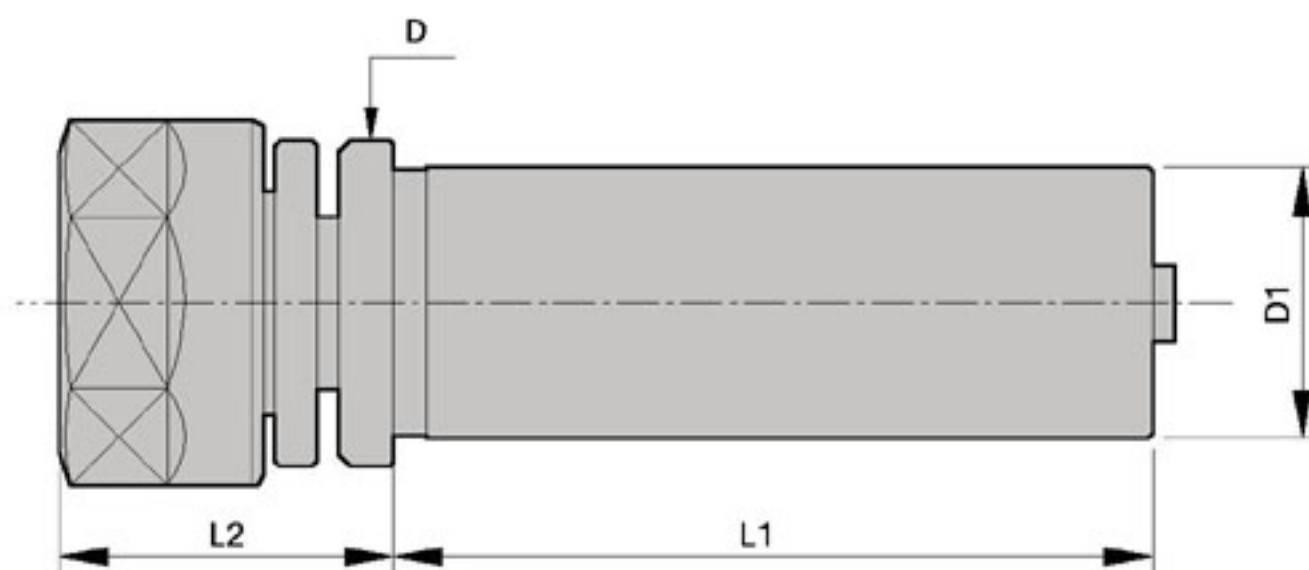
Models	D	X Capacity	S	Maximum R.P.M.	A	B	C	G	M	Order No.
BNE-34S BNE-51S	38	1-13 ER20	35	3500	112	74	18	17	90	DB38-ER20

AUTO TAPPER TYPE HOLDER

TYPE

MIYANO-

彈性攻牙座



**DIMENSIONS**

Models	Capacity Ømm	D	D1	L1	L2
TE-Ø25-ER16	1-10	30	25	70.5	30
TE-Ø32-ER20	2-13	37	32	65	40
TE-Ø40-ER25	2-16	45	40	75	43
TE-Ø50-ER32	3-20	55	50	85	48

精誠開發國際有限公司

電話:886-4-2475-0507 傳真:886-4-2475-0407

電子信箱:golden.goose@msa.hinet.net

網址:www.goldengoose.com.tw