

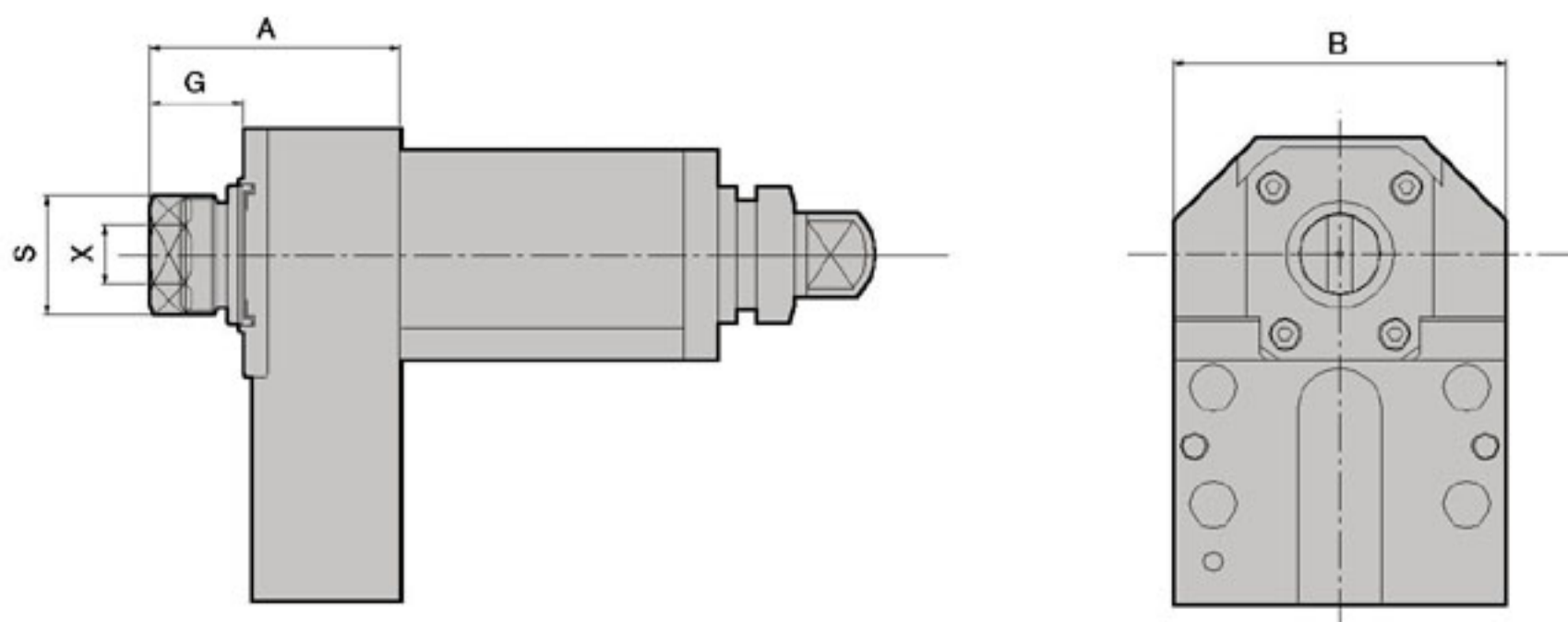


AXIAL MILLING DRILLING HEAD

TYPE

MORI SEIKI

軸向鑽銑刀座



- To be used for collet DIN 6499
- External coolant supply
- Collet is not included

**DIMENSIONS**

Models	X Capacity	S	Maximum R.P.M.	A	B	C	Order No.
SL150 DL150 ZL150	1-13 ER20	35	4000	52	86	18	E150-0105
SL200 SL250 ZL200	2-20 ER32	50	4000	61	100	31	E250-3115

精誠開發國際有限公司

電話: 886-4-2475-0507 傳真: 886-4-2475-0407

電子信箱: golden.goose@msa.hinet.net

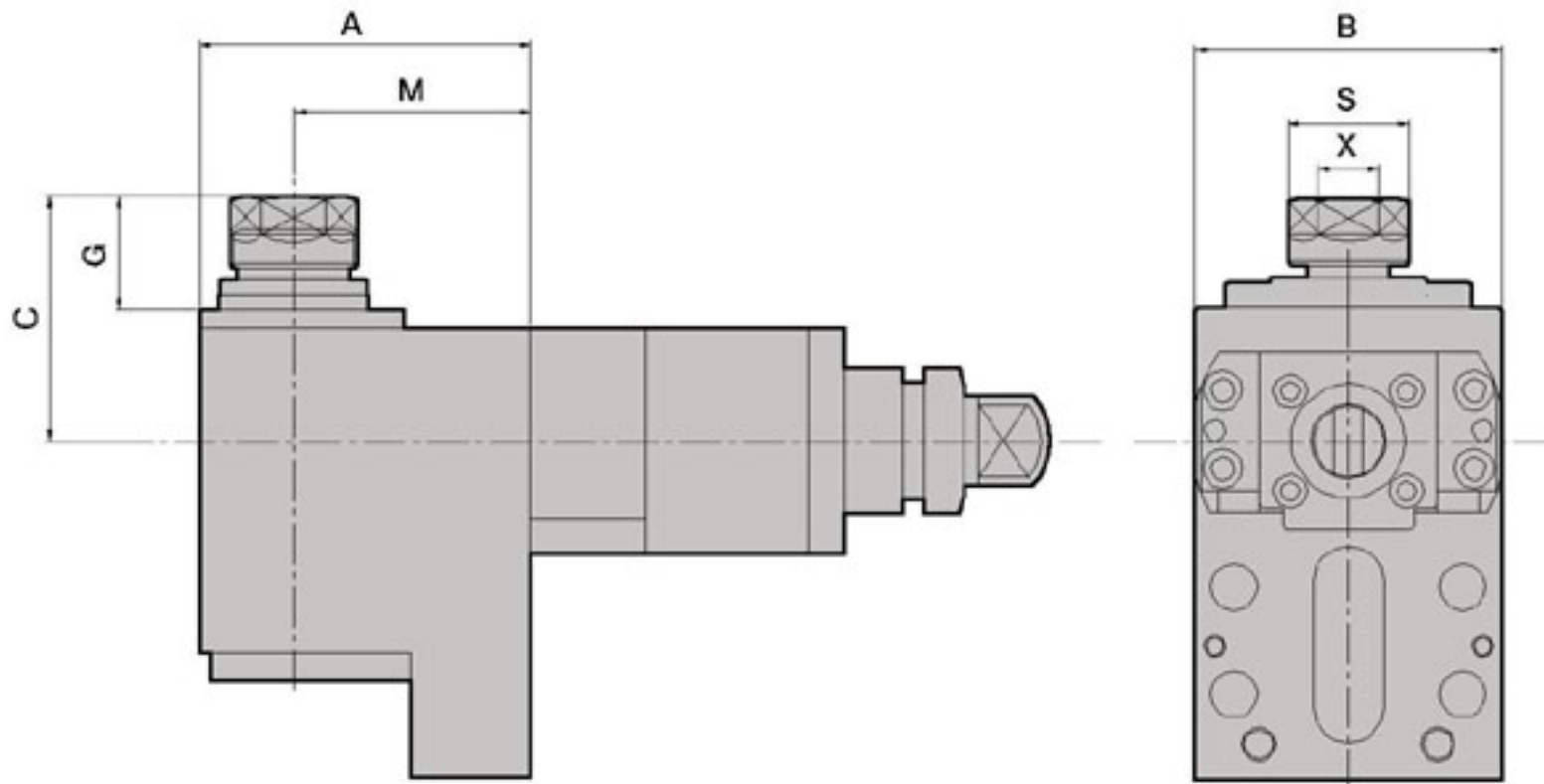
網址: www.goldengoose.com.tw

RADIAL MILLING DRILLING HEAD

TYPE

MORI SEIKI

徑向鑽銑刀座



- To be used for collet DIN 6499
- External coolant supply
- Collet is not included

**DIMENSIONS**

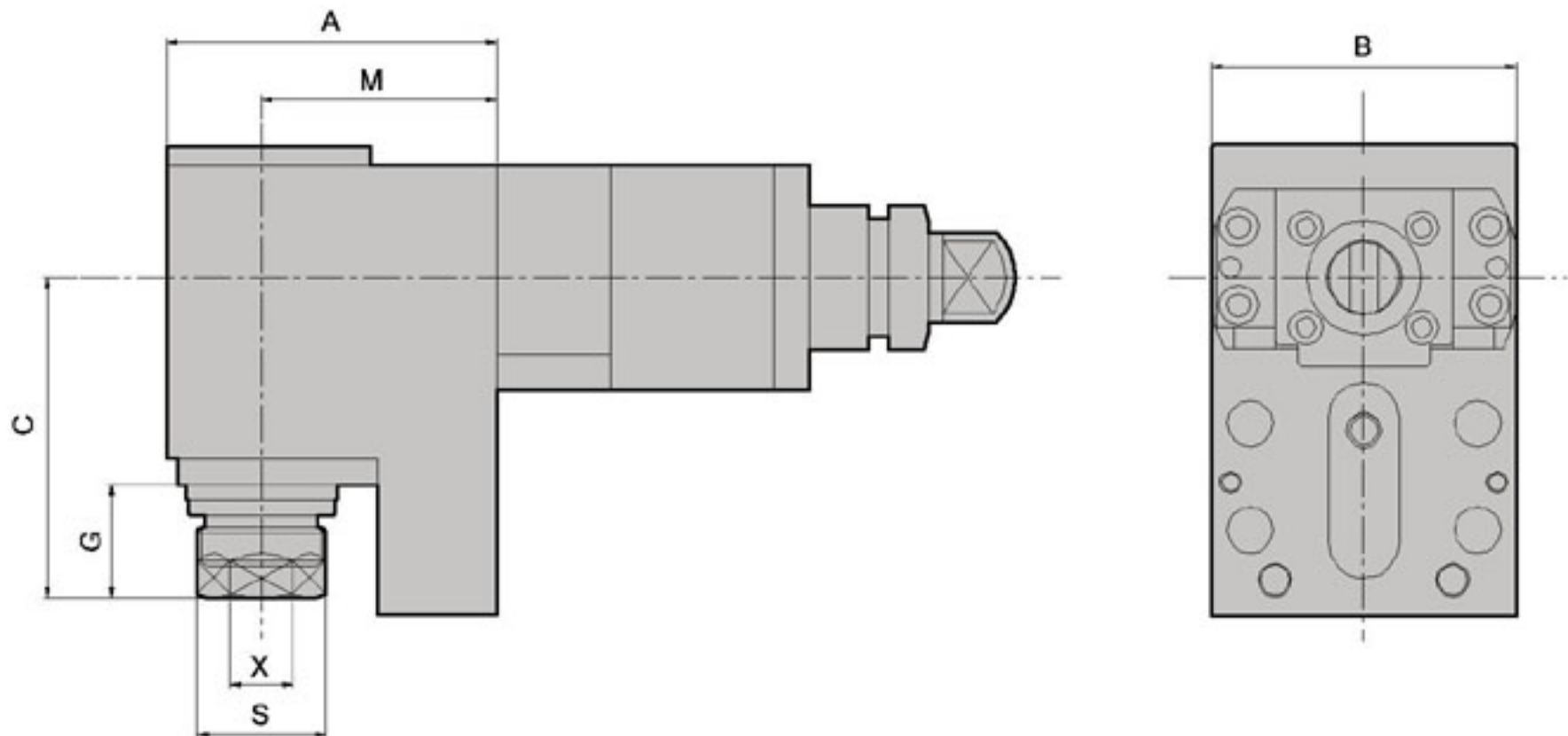
Models	X Capacity	S	Maximum R.P.M.	A	B	C	G	M	Order No.
SL150 DL150 ZL150	1-13 ER20	35	3500	87	86	91.5	29	67.5	E150-32106
SL200 SL250 ZL200	2-20 ER32	50	3500	93	100	92.5	44.5	55	E250-32114

**RADIAL MILLING DRILLING HEAD  
(SPINDLE 2)**

TYPE

MORI SEIKI

徑向鑽銑刀座 (副主軸)



- To be used for collet DIN 6499
- External coolant supply
- Collet is not included

**DIMENSIONS**

Models	X Capacity	S	Maximum R.P.M.	A	B	C	G	M	Order No.
DL151	1-13 ER20	35	3500	99	86	93	27.5	67.5	E151-32160
SL150 DL150 ZL150	1-13 ER20	35	3500	87	86	91.5	27	67.5	E150-32110
SL200 SL250 ZL200	2-20 ER32	50	3500	97	100	95	35	60	E250-32121

精誠開發國際有限公司

電話: 886-4-2475-0507 傳真: 886-4-2475-0407

電子信箱: golden.goose@msa.hinet.net

網址: www.goldengoose.com.tw